



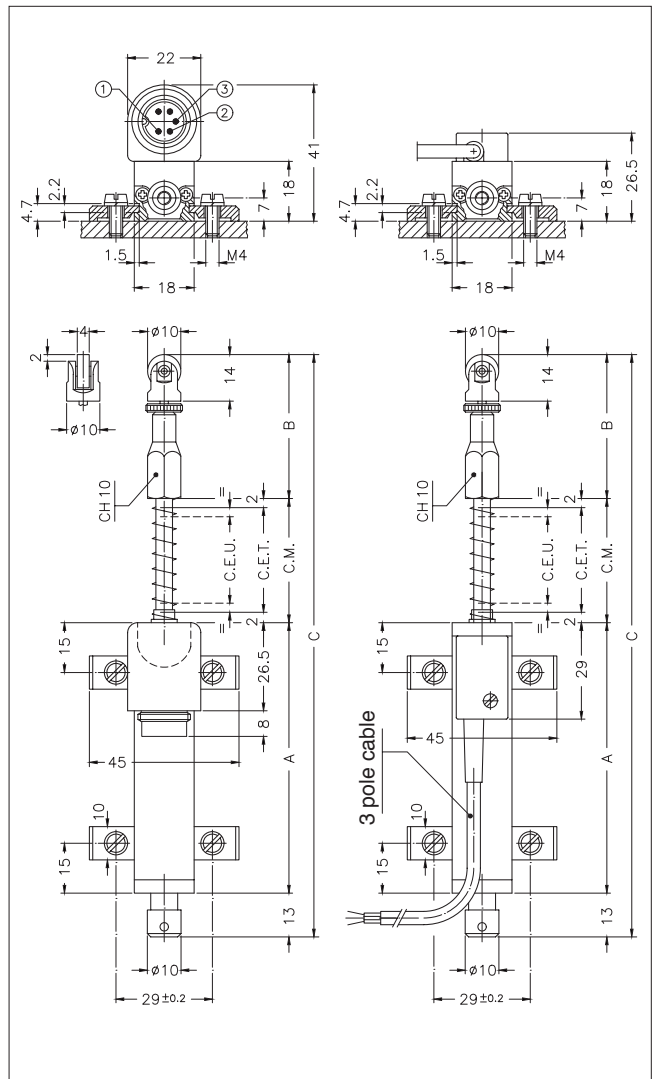
Principal characteristics

- The side connection creates a through-rod structure with double rod support, guaranteeing greater overall strength of the transducer.
- The return spring automatically returns the rod to zero position, making the transducer suitable for comparator applications.
- The tip with roller bearing is suitable for applications where the object to be measured may be subject to shifts transverse to the transducer axle (shaft is prevented from rotating).
- Ideal for checking the flatness or thickness of panels of various materials. Can also be used for valves or mechanical parts when the rod cannot be attached to the moving object.

TECHNICAL DATA

Useful electrical stroke (C.E.U.)	10/25/50
Resolution	Infinite
Independent linearity (within C.E.U.)	see table
Displacement speed	≤ 10 m/s
Displacement force	≤ 4 N
Life	>25x10 ⁶ m strokes, or 100x10 ⁶ operations, whichever is less (within C.E.U.)
Vibrations	5...2000Hz, Amax =0,75 mm amax. = 20 g
Shock	50 g, 11ms.
Tolerance on resistance	± 20%
Recommended cursor current	< 0,1 μA
Maximum cursor current	10mA
Maximum applicable voltage	see table
Electrical isolation	>100MΩ a 500V~, 1bar, 2s
Dielectric strength	< 100 μA a 500V~, 50Hz, 2s, 1bar
Dissipation at 40°C (0W at 120°C)	see table
Actual Temperature Coefficient of the output voltage	< 1,5ppm/°C
Working temperature	-30...+100°C
Storage temperature	-50...+120°C
Case material	Anodised aluminium Nylon 66 G 25
Control rod material	Stainless steel AISI 303
Fixing	Brackets with variable longitudinal axis

MECHANICAL DIMENSIONS

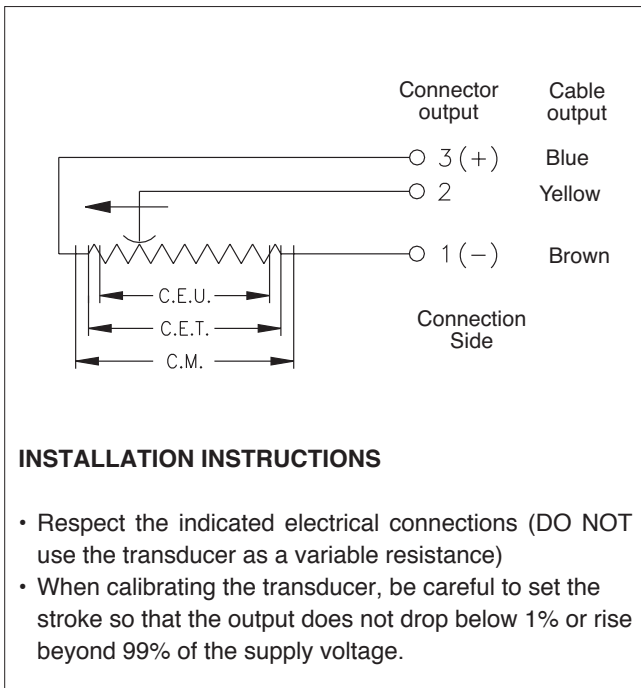


Important: all the data reported in the catalogue linearity, lifetime, temperature coefficient are valid for a sensor utilization as a ratiometric device with a max current across the cursor $I_c \leq 0.1 \mu A$.

MECHANICAL / ELECTRICAL DATA

Model		10	25	50
Useful electrical stroke (C.E.U.) +1/-0	mm	10	25	50
Theoretical electrical stroke (C.E.T.) ±1	mm	C.E.U. +1		
Resistance (C.E.T.)	kΩ	1	1	5
Independent linearity (within C.E.U.)	± %	0.3	0.2	0.1
Dissipation at 40° (0W at 120°C)	W	0.2	0.6	1.2
Maximum applicable voltage	V	14	25	60
Mechanical stroke (C.M.)	mm	C.E.U. + 5		
Case length (A)	mm	C.E.U. + 38		
Tip length (B)	mm	43	43	51
Total length (C)	mm	119	149	207

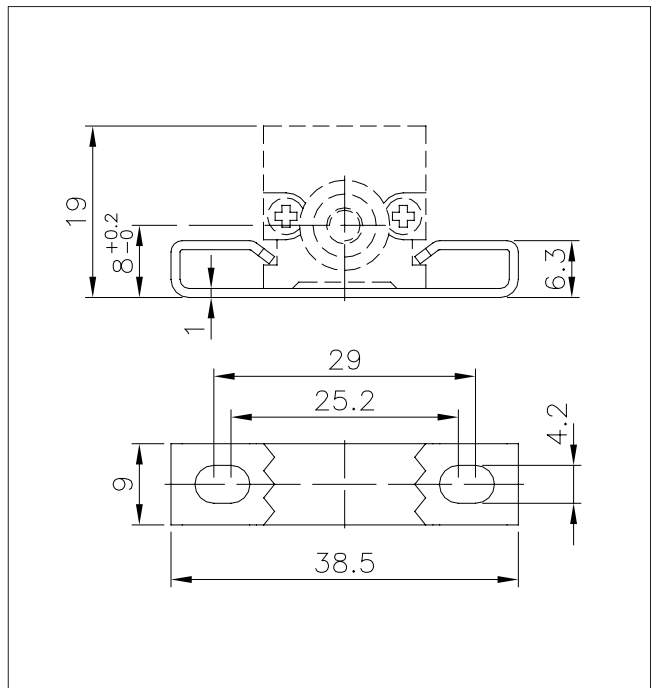
ELECTRICAL CONNECTIONS



INSTALLATION INSTRUCTIONS

- Respect the indicated electrical connections (DO NOT use the transducer as a variable resistance)
- When calibrating the transducer, be careful to set the stroke so that the output does not drop below 1% or rise beyond 99% of the supply voltage.

OPTIONAL FIXING KIT PKIT006



ORDER CODE

Displacement transducer PY3	<input type="checkbox"/> S <input type="checkbox"/> M	<input type="checkbox"/> 0 <input type="checkbox"/> 0 <input type="checkbox"/> 0 <input checked="" type="checkbox"/> X <input type="checkbox"/> 0 <input type="checkbox"/> 0 <input type="checkbox"/> 0
3 pole PVC cable output 3x0.25 1m	F	0
5 pole connector output DIN 43322	C	L
Model	Cable length (in metres)	Standard mounting brackets (PKIT005)
	This part of the code only applies to the model with cable output	X
		Optional mounting brackets (PKIT006)
		S
		Color of plastic heads (green)
		0
		Color of plastic heads (black)
		N

Ex.: **PY3 - C - 50**

Displacement transducer model PY3, 5-pole connector output, useful electrical stroke (C.E.U.) 50mm.

ACCESSORIES

STANDARD ACCESSORIES

Fixing kit: 4 brackets, M4x10 screws, washer	PKIT005
Fixing kit: 2 "wraparound" brackets (0000X000S00 configurator option)	PKIT006
Tip with bal	PTAS000

OPTIONAL ACCESSORIES

5-pin axial female PCB connector DIN43322 IP40 clamp for wire $\varnothing 4 - \varnothing 6$ mm	CON011
5-pin axial female PCB connector DIN43322 IP65 clamp PG7 for wire $\varnothing 4 - \varnothing 6$ mm	CON012
5-pin 90° radial female PCB connector DIN43322 IP40 clamp for wire $\varnothing 4 - \varnothing 6$ mm	CON013

GEFRAN spa reserves the right to make any kind of design or functional modification at any moment without prior notice